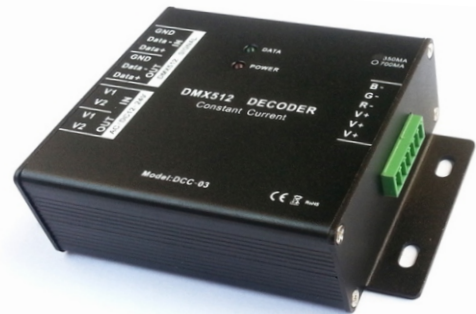


Three channel LED DMX drive

▶ FEATURES

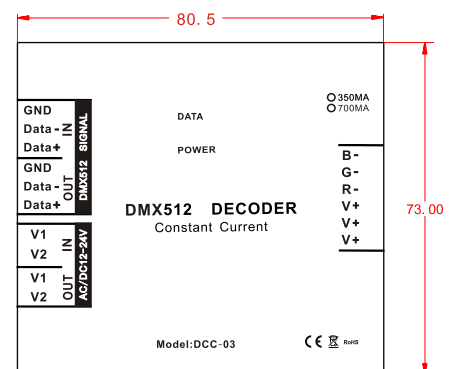
- R.G.B.Color(Three channels) intensity can be adjusted independently
- Allows to select output current (0-700MA)
- 350mA driver (1W LED)
- 700mA driver (3W LED)
- DMX address setting by external DMX address editor (DAE-02)
- DMX control mode manual mode and auto mode are available
- synchrosize up to 30 units series with built-in program



▶ SPECIFICATION

OUTPUT POWER	27W/54W(12/24V) MAX
INPUT INTERFACE	1 x 2pin Green Terminals (DC 12-24V) 1 x 3pin Green Terminals (DMX IN)
OUTPUT INTERFACE	1 x 2pin Green Terminals (DC 12-24V) 1 x 3pin Green Terminals (DMX OUT) 1 x 6pin Green Terminals (V+ V+ V+ R- G- B-)
SIGNAL	DMX512(1990)
HOUSING	Sheet metal black powder finishing
INGRESS PROTECTION RATANG	IP20
STORATION TEMPERATURE	-30°C-60°C
DIMENSION	L81XW73XH29
WIEGHT	180g

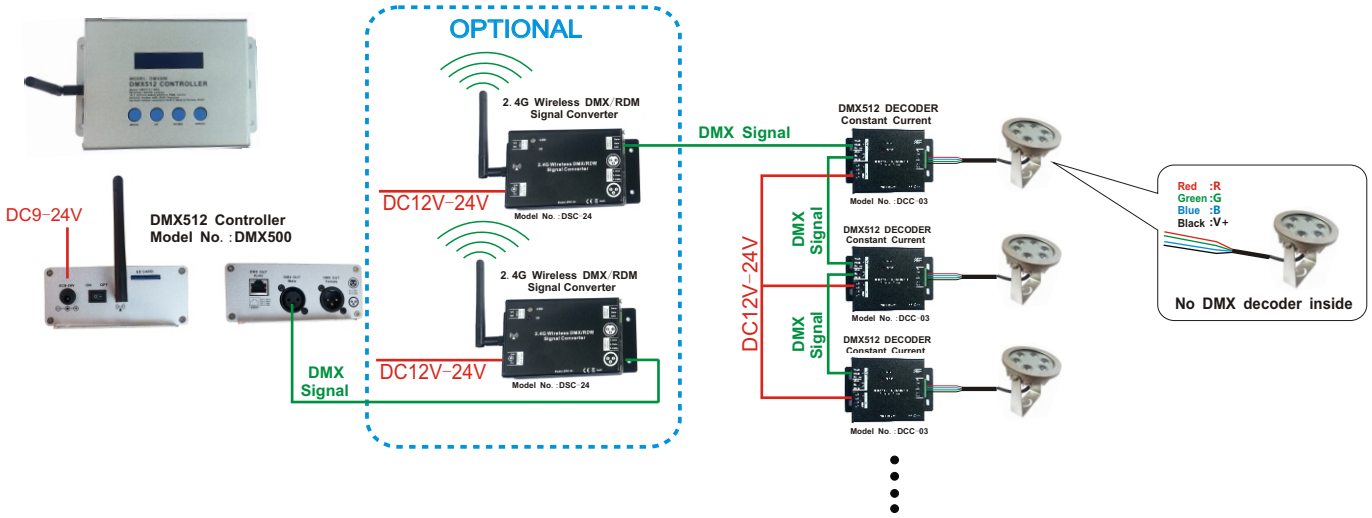
▶ PHYSICAL DIMENSIONS:



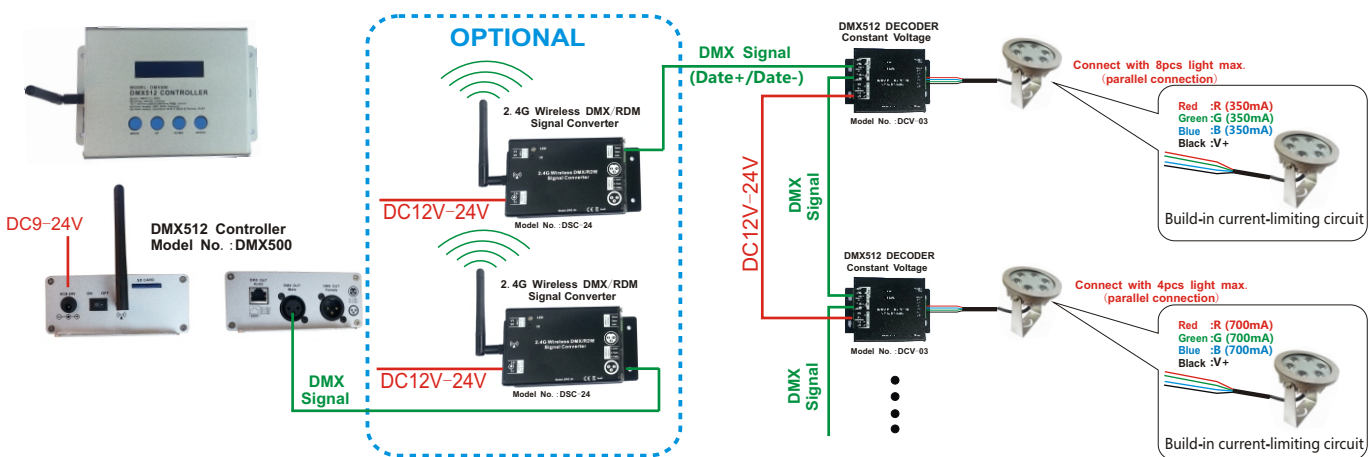
DMX512 Decoder

Item Code: 88608
Model No.: RS-DCC-03

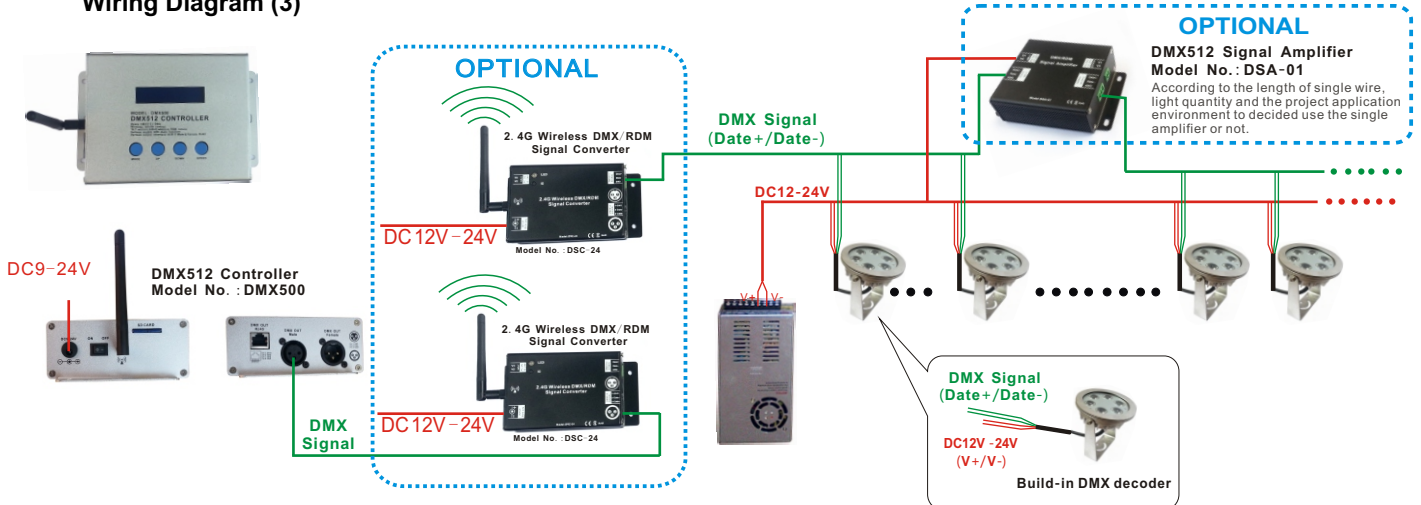
Wiring Diagram (1)



Wiring Diagram (2)



Wiring Diagram (3)



Wiring Diagram (4)

