

## Four channel LED DMX driver

### ▶ FEATURES

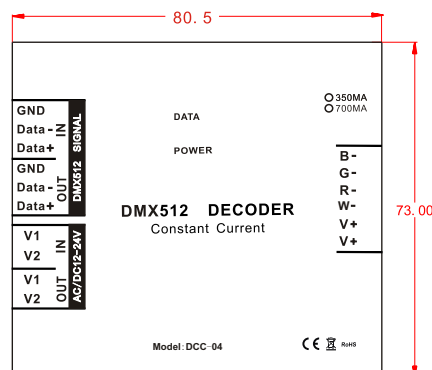
- R.G.B.WColor ( Four Channel ) intensity can be adjusted Independently
- Allow to select output current (0-700MA)
- 350mA driver(1W LED)
- 700mA driver(3W LED)
- DMX address setting by external DMX address editor (DAE-02)
- DMX control mode, manual mode and auto mode are available
- Synchronize up to 30 units series with built-in program



### ▶ SPECIFICATION

<b>OUTPUT POWER</b>	36W or 68W (12/24V) MAX
<b>INPUT INTERFACE</b>	1 x 2pin Green Terminals (DC 12-24V) 1 x 3pin Green Terminals (DMX IN)
<b>OUTPUT INTERFACE</b>	1 x 2pin Green Terminals (DC 12-24V) 1 x 3pin Green Terminals (DMX OUT) 1 x 6pin Green Terminals (V+ V+ W- R- G- B-)
<b>SIGNAL CONNECTION</b>	DMX512(1990)
<b>HOUSING</b>	Sheet metal black powder finishing
<b>INGRESS PROTECTION RATING</b>	IP20
<b>STORATION TEMPERATURE</b>	-30°C-60°C
<b>DIMENSION</b>	L81XW73XH29mm
<b>WEIGHT</b>	180g

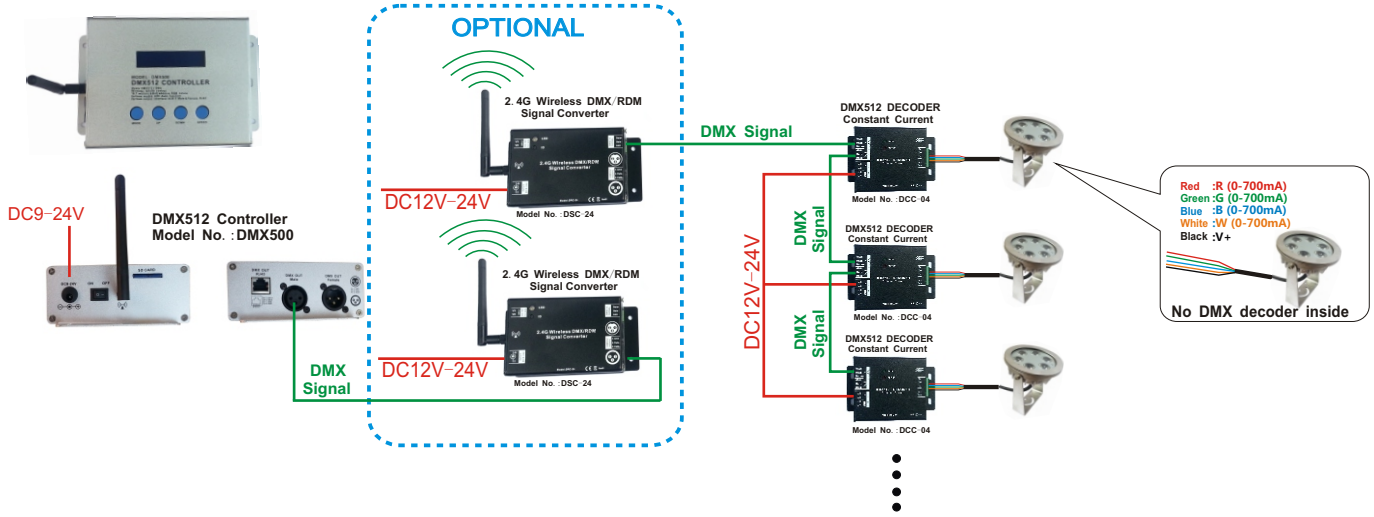
### ▶ PHYSICAL DIMENSIONS:



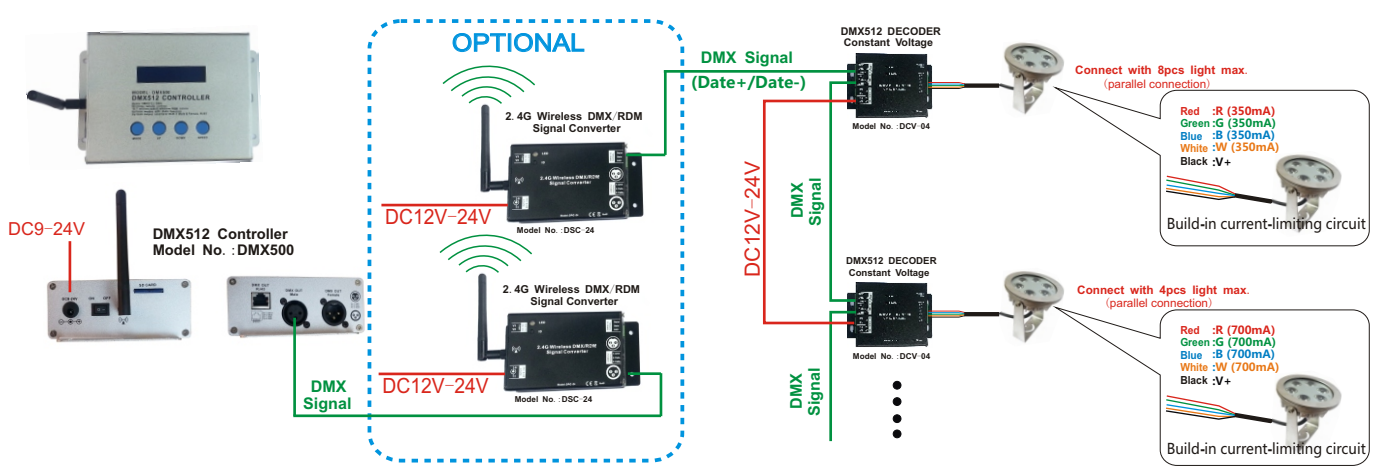
# DMX512 Decoder

Item Code: 88613  
Model No.: RS-DCC-04

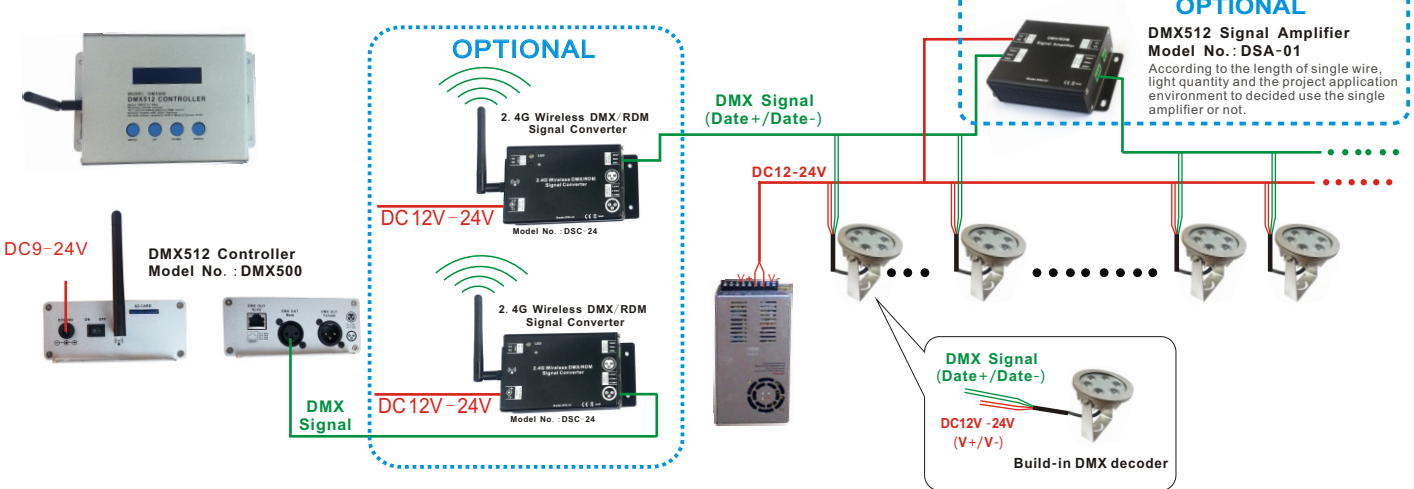
Wiring Diagram (1)



Wiring Diagram (2)



Wiring Diagram (3)



# DMX512 Decoder

Item Code: 88613  
 Model No.: RS-DCC-04

Wiring Diagram (4)

