

Signal Amplifier

FEATURES

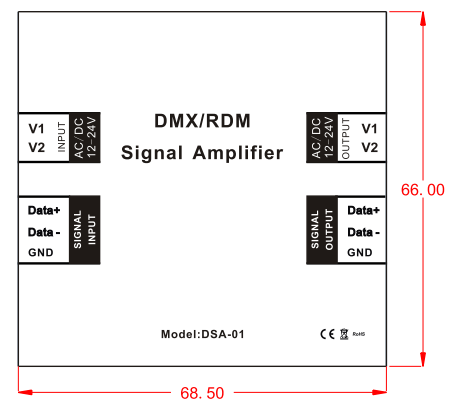
- DMX Ssignal amplifier after receiving DMX/RDM signal to the output voltage of the normal DMX/RDM signal
- Extend the DMX/RDM signal transmission distance
- Increase the DMX/RDM signal driving ability



SPECIFICATION

INPUT INTERFACE	1 x 2pin Green Terminals (DC 12-24V) 1 x 3pin Green Terminals (DMX/RDM IN)
OUTPUT INTERFACE	1 x 2pin Green Terminals (DC 12-24V) 1 x 3pin Green Terminals (DMX/RDM OUT)
INPUT SIGNAL	DMX512(1990) / RDM(2009)
OUTPUT SIGNAL	DMX512(1990) / RDM(2009)
HOUSING	Sheet metal black powder finishing
INGRESS PROTECTION RATANG	IP20
STORATION TEMPERATURE	-30°C-60°C
DIMENSION	L72XW66XH28mm
WEIGHT	150g

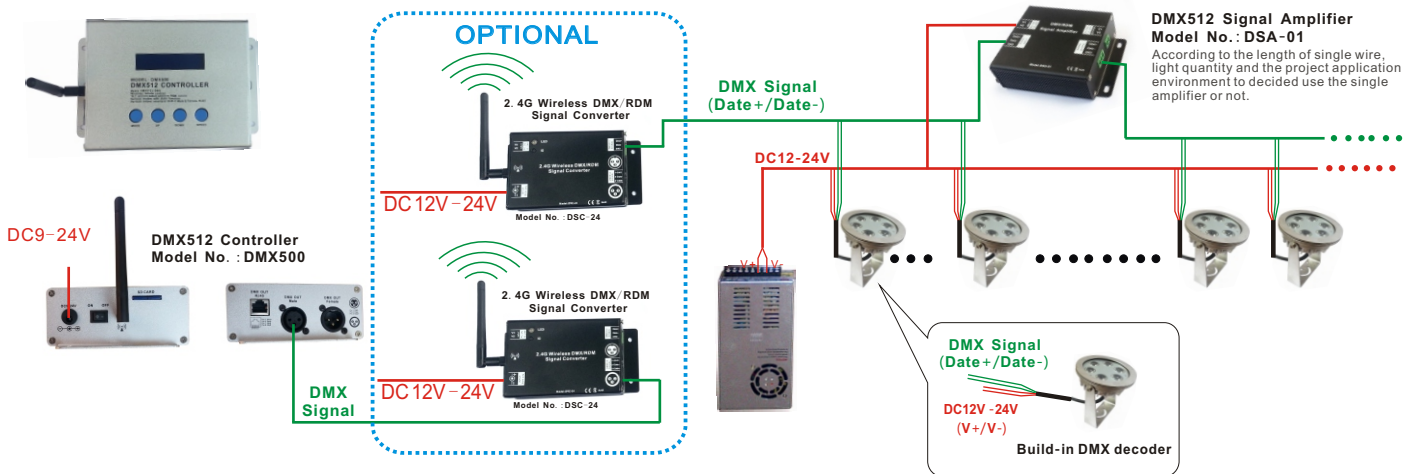
PHYSICAL DIMENSIONS:



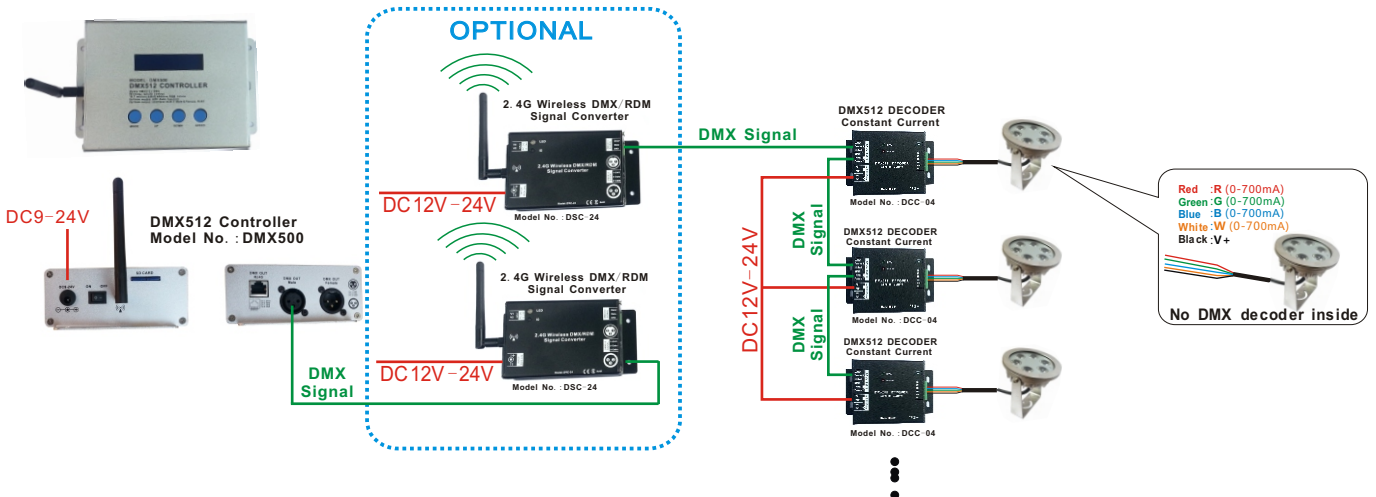
Signal Amplifier

Item Code: 88606
Model No.: RS-DSA-01

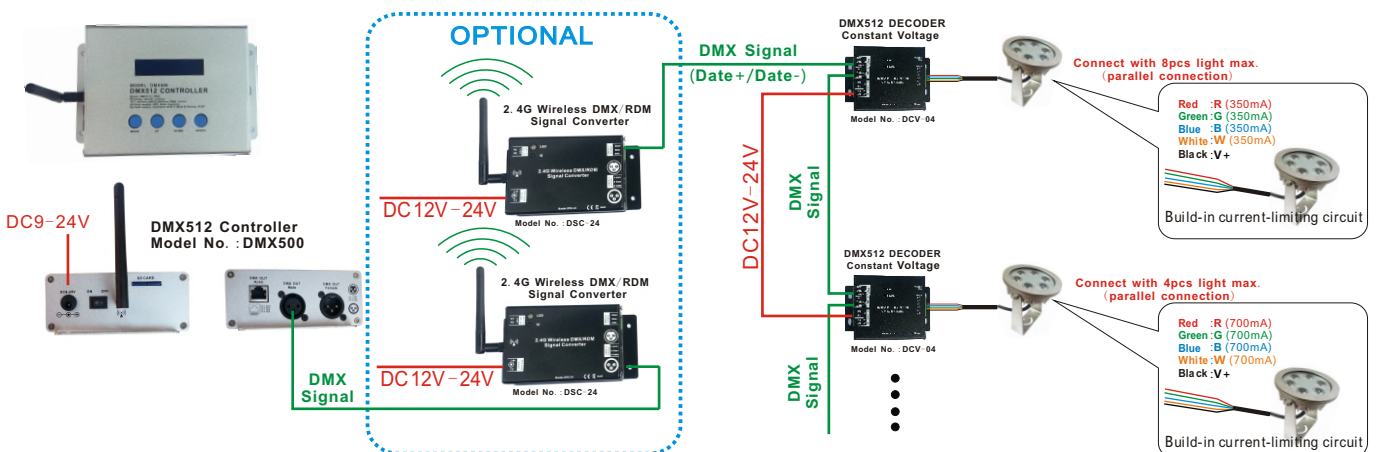
Wiring Diagram (3)



Wiring Diagram (2)



Wiring Diagram (3)



Signal Amplifier

Item Code: 88606
Model No.: RS-DSA-01

Wiring Diagram (4)

